

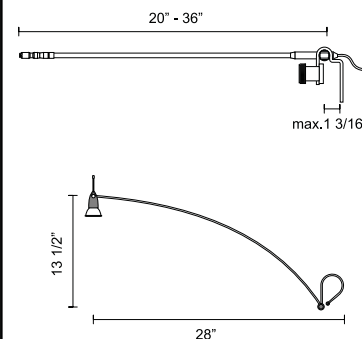
# INSTALLATION INSTRUCTIONS

USA

## INDIVIDUAL LIGHTS

### PLUG-IN DISPLAY FIXTURES

Art. No.	STIK DISPLAY ELEMENT
	131 200ch      chrome
	TIVO DISPLAY LIGHT
	131 250      chrome



## IMPORTANT SAFETY INSTRUCTIONS

1. SAVE THESE INSTRUCTIONS!
2. To reduce the risk of FIRE, ELECTRICK SHOCK, (EXPOSURE TO EXCESSIVE UV RADIATION) OR INJURY TO PERSONS:
  - Lighted lamp is HOT! Unplug and allow to cool before replacing bulb (lamp).
  - Bulb (lamp) gets HOT quickly, Only contact plug when turning on.
  - Do not touch lens, guard, or enclosure.
  - Do not remain in light if skin feels warm.
  - Do not look directly at lighted bulb (lamp).
  - Keep lamp away from combustible materials.
  - Lamp wattage must never exceed 50W.
3. This portable lamp has a polarized plug (one blade is wider than the other) as a feature to reduce the risk of electruck shock. The plug will fit in a polarized outlet only one way. If the plug does not fit fully in the outlet, reverse the plug. If it still does not fit, contact a qualified electrician. Never use with an extension cord unless plug can be fully inserted. Do not alter the plug.
4. Warranty is void in case of unauthorized modifications and/ or improper use.

## READ ALL OF THESE INSTALLATION INSTRUCTIONS BEFORE INSTALLING THE SYSTEM

Step 1: The PLUG-IN DISPLAY FIXTURE comes with a plug-in transformer that will fit any standard polarized outlet.

The STIK DISPLAY ELEMENT is clamped to a flat surface (max 1 3/16" thickness) and has a Uni-plug receptacle for a Uni-light fixture attachment.

The TIVO DISPLAY LIGHT is clamped to a flat surface (max 2" thickness).

Step 2: For all display fixtures, insert a standard MR-16 lamp into the socket; the spring clips will hold it in place. (lamp is not included)

