

## MULTI-POINT CANOPY SQUARE

### TECHNICAL SPECIFICATIONS

Description: Ceiling canopy with four 50W transformers and uni-plug sockets  
 Design: Bruck-Team  
 Wattage: 4 x 50W transformers

### CONTENTS OF DELIVERY

multi-point canopy with transformers

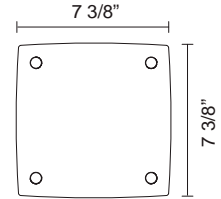
### PART NUMBERS

240 250bz bronze  
 240 250mc matte chrome  
 240 250wh white

### IMPORTANT SAFETY INSTRUCTIONS

1. Save these instructions and refer to them when additions to or changes to the fixture are made.
2. THIS PRODUCT MUST BE INSTALLED BY A PERSON FAMILIAR WITH THE CONSTRUCTION AND OPERATION OF THE PRODUCT AND THE HAZARDS INVOLVED, IN ACCORDANCE WITH THE APPLICABLE NEC CODE.
3. Do not install this canopy in damp or wet locations.
4. CAUTION - Do not install any fixture assembly closer than 6 inches from any curtain, or similar combustible material.
5. Turn off power prior to any work on the system.
6. Total wattage of the fixtures must never exceed the wattage supplied by the low voltage electronic transformer. Please check that the total lamp wattage does not exceed 50W per uni-plug or wattage specified by fixture.
7. Secondary connections must be clean and tight to avoid arcing and overheating!
8. Warranty is void in case of unauthorized modifications and/ or improper use.

**READ ALL OF THESE INSTRUCTIONS BEFORE INSTALLATION**



## INSTALLATION INSTRUCTIONS

fig. 1

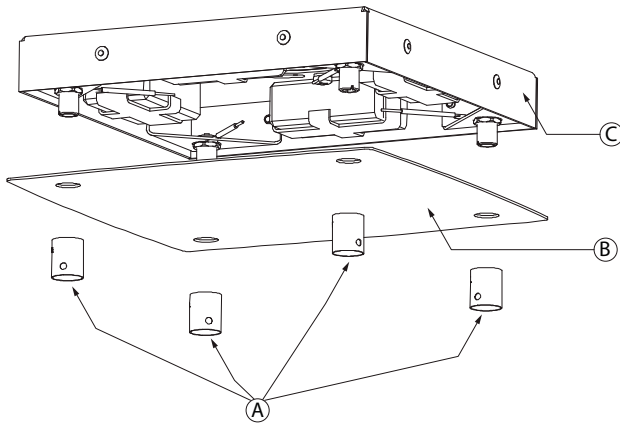


fig. 2

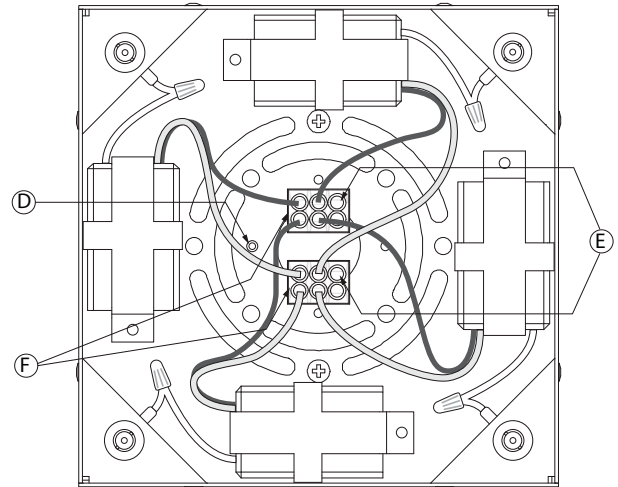
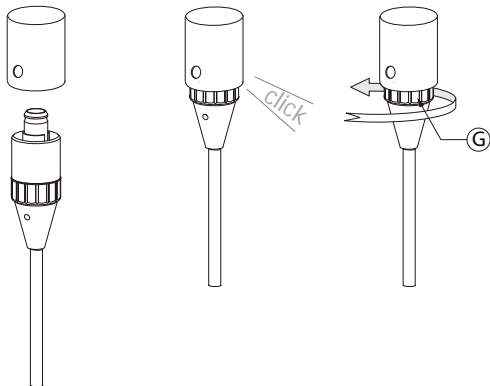


fig. 3



### Multi-point Canopy Installation

fig. 1

- Unscrew the uni-plug collars (A) to remove the cover plate (B) and expose the wiring.

fig. 2

- Mount the canopy base (C) to a J-box with mounting screws.
- Connect the green wire (D) from the canopy base to the ground wire.
- Insert the line voltage wires (E) to the terminal blocks (F).
- Place the cover plate back onto the base and secure with uni-plug collars.

fig. 3

- Insert Bruck uni-light pendants into the uni-plug sockets. A click will be heard. Tighten the retaining collar (G) to complete the installation.