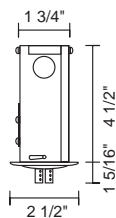


INSTALLATION INSTRUCTIONS

USA



2" SURFACE MOUNT CANOPY POWERFEED

ART. NO.
 240 203bz bronze
 240 203ch chrome
 240 203mc matte chrome

TECHNICAL DATA

Description: 2" canopy connection element to track for power delivery.
 Design: Wesley Dochnahl
 Material: brass, matte chrome plated

IMPORTANT SAFETY INSTRUCTIONS



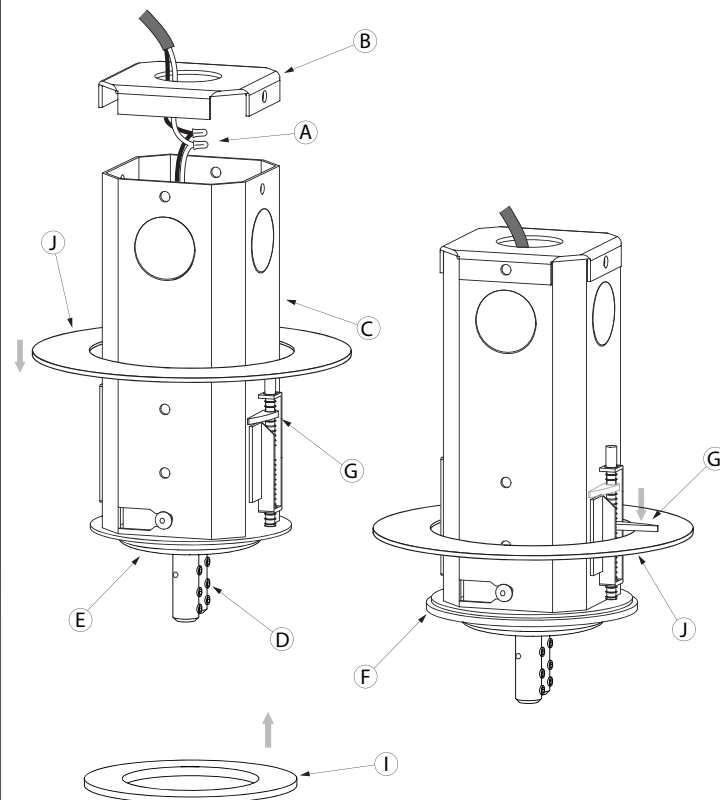
1. THIS PRODUCT MUST BE INSTALLED BY A PERSON FAMILIAR WITH THE CONSTRUCTION AND OPERATION OF THE PRODUCT AND THE HAZARDS INVOLVED, IN ACCORDANCE WITH LOCAL NEC CODE.
2. Do not install this rail in damp or wet locations.
3. Do not install any part of a rail system less than 5 feet above the floor.
4. Do not install any fixture assembly closer than 6 inches from any curtain, or similar combustible material.
5. Disconnect electrical power before adding to or changing the configuration of the rail.
6. Do not attempt to energize anything other than lighting rail fixtures on the rail. To reduce the risk of fire and electric shock, do not attempt to connect power tools, extension cords, appliances, and the like to the rail.
7. This track system **MUST BE HARD WIRED**. For all the wire connections, use Listed Wire Nuts.
8. Do not connect a rail to more than one circuit unless the rail is constructed so that it can be used with more than on circuit. Check with a qualified electrician. Although the rail lighting system may seem to operate acceptably, a dangerous overload of the neutral may occur and result in a risk of fire.
9. Secondary connections must be clean and tight to avoid arcing and overheating!
10. Warranty is void in case of unauthorized modifications and/ or improper use.

SAVE THESE INSTRUCTIONS AND REFER TO THEM WHEN ADDITIONS TO OR CHANGES IN THE TRACK CONFIGURATION ARE MADE

CONTENTS OF DELIVERY

2" Surface Mount Canopy Powerfeed, mounting screws, allen wrench and crimps

Note: the 2" surface mount canopy powerfeed is designed for a ceiling thickness between 1-1/16" and 3/16".



USER MANUAL

USA

READ ALL OF THESE INSTALLATION INSTRUCTIONS BEFORE INSTALLING

INSTALLING THE 2" SURFACE MOUNT CANOPY POWERFEED

- Drill a 2-1/4" hole in the mounting surface.
- Slide the j-box (C) into the mounting surface (make sure the side brackets (G) are not extended outwards). When possible, place support ring (J) over j-box. Tighten the mounting screws (F) to extend the side brackets and hold the j-box in place.
DO NOT overtighten the screws; the side brackets may cut through the mounting surface.
- Pull the power supply cable (A) through the back plate (B). Use wire nut to connect the wires. Attach the back plate (B) to the j-box (C) with screws.
- Place the magnetic cover-plate (I) over the j-box (C) to complete the installation.