

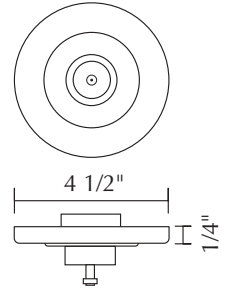
INSTALLATION INSTRUCTIONS

USA

TECHNICAL

CEILING PLUG 65

Art. No.	240 121bz	bronze, 75W
	240 121ch	chrome, 75W
	240 121mc	matte chrome, 75W
	240 121wh	white, 75W



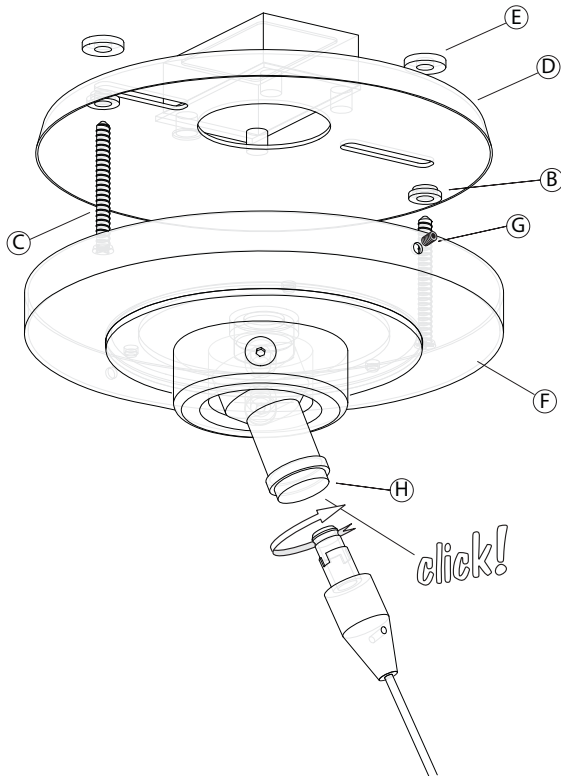
! IMPORTANT SAFETY INSTRUCTIONS !

1. Read all instructions!
2. Turn off power prior to any work on the canopy.
3. THIS PRODUCT MUST BE INSTALLED BY A PERSON FAMILIAR WITH THE CONSTRUCTION AND OPERATION OF THE PRODUCT AND THE HAZARDS INVOLVED, IN ACCORDANCE WITH THE LOCAL NEC CODE.
4. MUST BE HARD WIRED, 120v. For all the wire connections, use Listed Wire Nuts.
5. Only BRUCK Uni-Light fixtures may be used with the sloped ceiling canopy.
6. Total wattage of the fixture must never exceed the wattage supplied by the low voltage electronic transformer. Please check that the total lamp wattage does not exceed 75W.
7. Secondary connections must be clean and tight to avoid arcing and overheating!
8. Warranty is void in case of unauthorized modifications and/ or improper use.

READ ALL OF THESE INSTALLATION INSTRUCTIONS BEFORE INSTALLING THE SYSTEM

This Package Contains:

Ceiling Plug 65 w/ transformer - qty.(1)



The Ceiling Plug 65 with Transformer can be mounted directly to any ceiling with access to the power cables. Begin by connecting the two wires from the transformer (A) to the power cables in the wall. Then slide the notched plastic washer (B) through the mounting screw (C). Insert the screw (C) into the mounting plate (D) and slide the plastic washer (E) onto the end of the screw. Align the screws (C) with the J-box and tighten until firmly connected.

Place the canopy cover (F) over the mounting plate (D) and secure it with the allen screw (G) located on the side of the base.

A Uni-Light fixture can be attached to the socket (H). Insert the uni-plug into the socket (a click will be heard) and twist the collar to

