

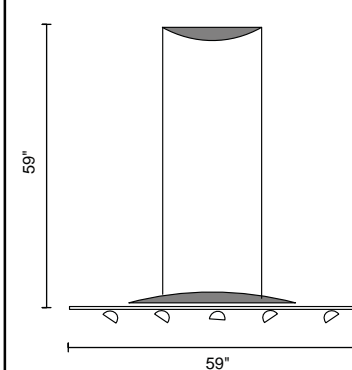
INSTALLATION INSTRUCTIONS

USA

V/A

V/A LENJO / LENJO TRIFLY

Art. No.	161 050ch	chrome, natural wood color, with 5 calo fixtures
	161 050mc	matte chrome, natural wood color, with 5 calo fixtures
	161 051ch	chrome, ash cherry color, with 5 calo fixtures
	161 051mc	matte chrome, ash cherry color, with 5 calo fixtures
	161 070ch	chrome, natural wood color, with 3 butterfly fixtures
	161 070mc	matte chrome, natural wood color, with 3 butterfly fixtures
	161 071ch	chrome, ash cherry color, with 3 butterfly fixtures
	161 071mc	matte chrome, ash cherry color, with 3 butterfly fixtures

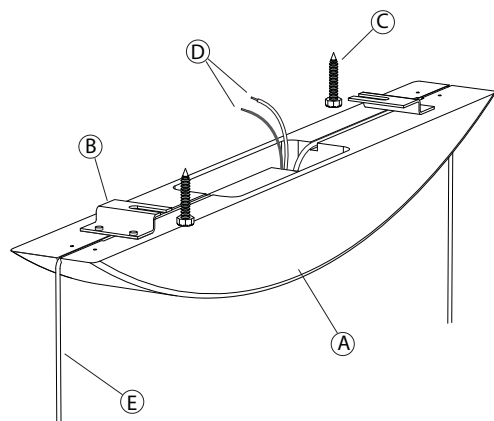


IMPORTANT SAFETY INSTRUCTIONS

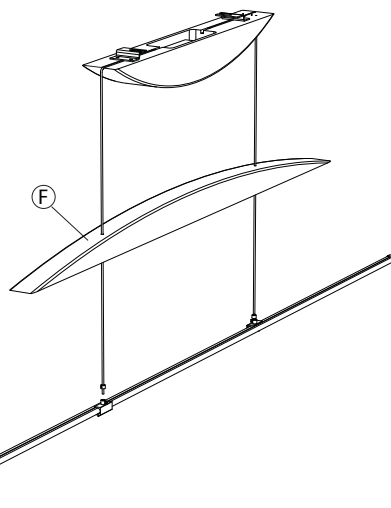


1. Read all instructions!
2. Turn off power prior to any work on the systems.
3. Only a qualified electrician should install this hard wired transformer.
4. For all the wire connections, use UL listed Wire Nuts.
5. Only BRUCK fixtures and components may be used with the system.
6. Total wattage of the system must never exceed the wattage supplied by the low voltage transformer. Please check that the total lamp wattage does not exceed 150W per circuit.
7. Secondary connections must be clean and tight to avoid arcing and overheating!
8. Warranty is void in case of unauthorized modifications and/ or improper use.

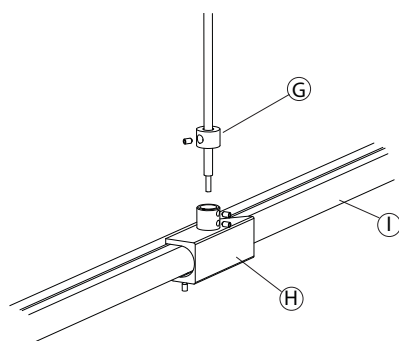
READ ALL OF THESE INSTALLATION INSTRUCTIONS BEFORE INSTALLING THE SYSTEM



Step 1: Hold the wood canopy (A) up to the desired mounting point. Use a pencil to mark the mounting points for the mounting screws. The distance between mounting brackets (B) is approximately 14 3/4". Screw both mounting screws (C) partially into the ceiling leaving room to access the transformer wires. Hold the wood canopy (A) up to the mounting screws (C) and turn clockwise until the mounting brackets (B) connect with the screws.



Step 2: Connect the black and white wires (D) from the electronic transformer to the power cables in the ceiling with wire nuts. Tuck the wires into the cavity of the wood canopy. Tighten the mounting screws (C) until the wood canopy rests as flush to the ceiling as possible.



Step 3: Unroll the suspension cables (E) at both ends of the wood canopy. Insert each cable into the long wood piece (F). Insert the metal spacers (G) about 1" from the end of the cables and tighten the allen screws. The long wood piece rests on these spacers.

Step 4: Connect a powerfeed (H) to each of the cables and tighten the allen screws (H) firmly. Attach the power feeds to the V/A track (I) on opposite sides of the copper tubing.

Step 5: Connect the fixtures supplied per instructions included for each fixture.