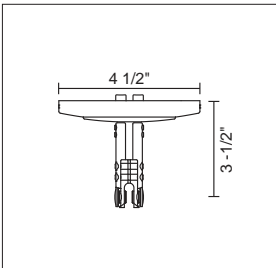


ENZIS INSTALLATION INSTRUCTIONS

USA



ENZIS CANOPY FEED

ART. NO.

- 140 309bz bronze, 3 1/2"
- 140 309mc matte chrome, 3 1/2"

TECHNICAL DATA

Description: Canopy connection element to track for power delivery.
 Design: Wesley Dochnahl
 Dimensions: length: 3-1/2"
 Material: brass, matte chrome plated

IMPORTANT SAFETY INSTRUCTIONS

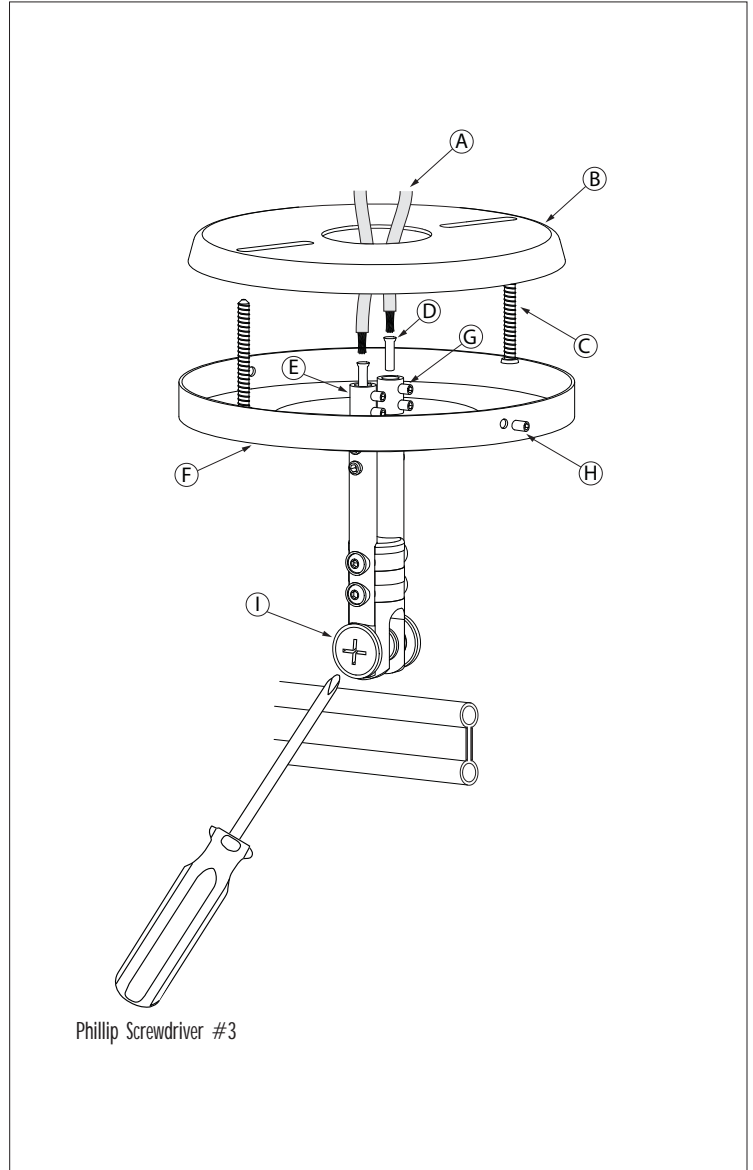


1. THIS PRODUCT MUST BE INSTALLED BY A PERSON FAMILIAR WITH THE CONSTRUCTION AND OPERATION OF THE PRODUCT AND THE HAZARDS INVOLVED, IN ACCORDANCE WITH LOCAL NEC CODE.
2. FOR USE WITH ENZIS RAIL NETWORK ONLY.
3. The Enzis rail system is not intended for use with a power supply cord or convenience receptacle adaptor. This rail system is to be supplied by Bruck Lighting.
4. Do not install this rail in damp or wet locations.
5. Do not install any part of a rail system less than 5 feet above the floor.
6. Do not install any fixture assembly closer than 6 inches from any curtain, or similar combustible material.
7. Disconnect electrical power before adding to or changing the configuration of the rail.
8. Do not attempt to energize anything other than lighting rail fixtures on the rail. To reduce the risk of fire and electric shock, do not attempt to connect power tools, extension cords, appliances, and the like to the rail.
9. This track system **MUST BE HARD WIRED**. For all the wire connections, use Listed Wire Nuts.
10. Do not connect a rail to more than one circuit unless the rail is constructed so that it can be used with more than one circuit. Check with a qualified electrician. Although the rail lighting system may seem to operate acceptably, a dangerous overload of the neutral may occur and result in a risk of fire.
11. Secondary connections must be clean and tight to avoid arcing and overheating!
12. Warranty is void in case of unauthorized modifications and/ or improper use.

SAVE THESE INSTRUCTIONS AND REFER TO THEM WHEN ADDITIONS TO OR CHANGES IN THE TRACK CONFIGURATION ARE MADE

CONTENTS OF DELIVERY

1 Canopy feed, mounting screws, allen wrench and wire crimps.



Phillip Screwdriver #3

USER MANUAL

USA

READ ALL OF THESE INSTALLATION INSTRUCTIONS BEFORE INSTALLING THE RAIL SYSTEM

INSTALLING THE CANOPY FEED

- Run the power cables (A) from the transformer through the center hole of the mounting base (B). Mount the base with screws (C).
- Crimp the cables with the provided crimps (D). Insert the cables into the connectors (E) on the canopy cover (F). Tighten the four allen screws (G) on the connector securely.
- Place the canopy cover (F) over the mounting base (B) and secure with the two side screws (H).
- Run the Enzis track through the power feed and secure by tighten thumb screws (I) with phillips head screwdriver, **#3 is the recommended size to use.**