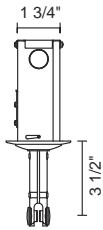


## ENZIS INSTALLATION INSTRUCTIONS

USA



### ENZIS 2" CANOPY FEED

ART.-NO.

140 307mc matte chrome, 3 1/2"

#### TECHNICAL DATA

Description: power feed with 2" J-box for power delivery.  
 Design: Wesley Dochnahl  
 Dimensions: length: 3 1/2"  
 Material: brass, matte chrome plated

### IMPORTANT SAFETY INSTRUCTIONS



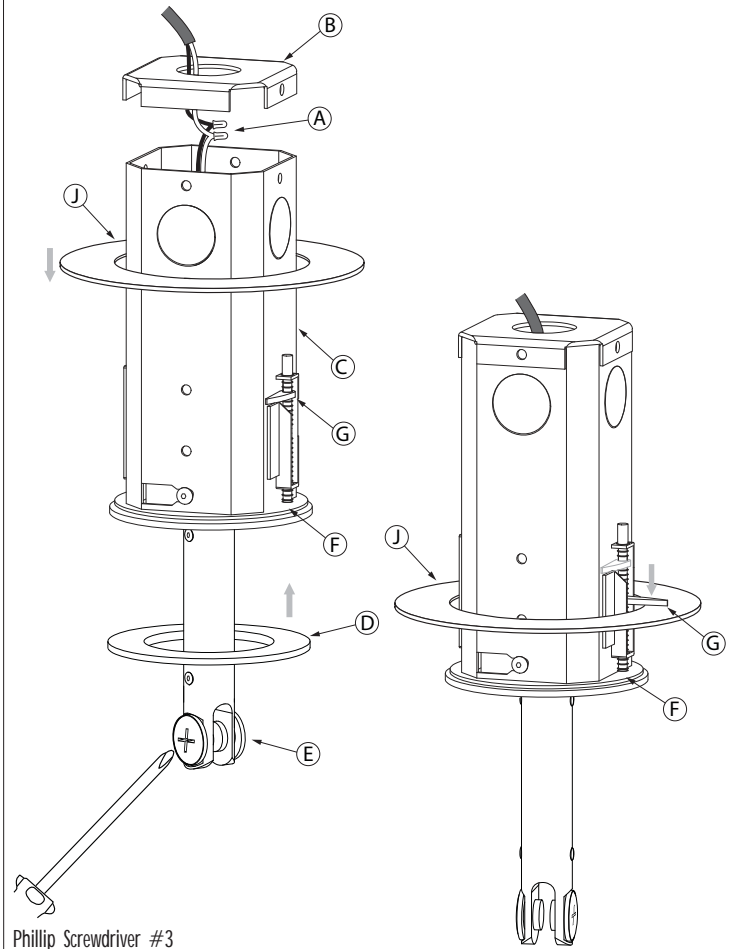
1. THIS PRODUCT MUST BE INSTALLED BY A PERSON FAMILIAR WITH THE CONSTRUCTION AND OPERATION OF THE PRODUCT AND THE HAZARDS INVOLVED, IN ACCORDANCE WITH LOCAL NEC CODE.
2. FOR USE WITH ENZIS RAIL NETWORK ONLY.
3. The Enzis rail system is not intended for use with a power supply cord or convenience receptacle adaptor. This rail system is to be supplied by Bruck Lighting.
4. Do not install this rail in damp or wet locations.
5. Do not install any part of a rail system less than 5 feet above the floor.
6. Do not install any fixture assembly closer than 6 inches from any curtain, or similar combustible material.
7. Disconnect electrical power before adding to or changing the configuration of the rail.
8. Do not attempt to energize anything other than lighting rail fixtures on the rail. To reduce the risk of fire and electric shock, do not attempt to connect power tools, extension cords, appliances, and the like to the rail.
9. This track system **MUST BE HARD WIRED**. For all the wire connections, use Listed Wire Nuts.
10. Do not connect a rail to more than one circuit unless the rail is constructed so that it can be used with more than on circuit. Check with a qualified electrician. Although the rail lighting system may seem to operate acceptably, a dangerous overload of the neutral may occur and result in a risk of fire.
11. Secondary connections must be clean and tight to avoid arcing and overheating!
12. Warranty is void in case of unauthorized modifications and/ or improper use.

SAVE THESE INSTRUCTIONS AND REFER  
 TO THEM WHEN ADDITIONS TO OR  
 CHANGES IN THE TRACK  
 CONFIGURATION ARE MADE

#### CONTENTS OF DELIVERY

canopy power feed with 2" J-box, mounting screws, allen wrench and crimps

Note: the 2" canopy feed is designed for a ceiling thickness between 1-1/16" and 3/16".



Phillips Screwdriver #3

#### USER MANUAL

USA

READ ALL OF THESE INSTALLATION INSTRUCTIONS  
 BEFORE INSTALLING THE RAIL SYSTEM

#### INSTALLING THE 2" CANOPY FEED

- Drill a 2-1/4" hole in the mounting surface.
- Slide the j-box (C) into the mounting surface (make sure the side brackets (G) are not extended outwards). When possible, place support ring (J) over J-box. Tighten the mounting screws (F) to extend the side brackets and hold the j-box in place. **DO NOT** overtighten the screws; the side brackets may cut through the mounting surface.
- Pull the 10 w voltage wires (A) through the back plate (B). Use wire nuts to connect the wires. Attach the back plate (B) to the j-box (D) with screws.
- Place the magnetic cover-plate (D) over the j-box (C) to complete the installation.
- Run the Enzis track through the power feed and secure by tighten thumb screws (E) with phillips head screwdriver, **#3 is the recommended size to use.**