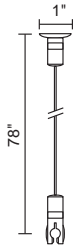


ENZIS INSTALLATION INSTRUCTIONS

USA



CABLE SUSPENSION

ART.-NO.
 140 100bz bronze
 140 100mc matte chrome

TECHNICAL DATA

Description: Cable suspension with aircraft cable.
 Design: Jorg Westerheide
 Dimensions: length: 78"
 Material: brass, matte chrome plated

IMPORTANT SAFETY INSTRUCTIONS

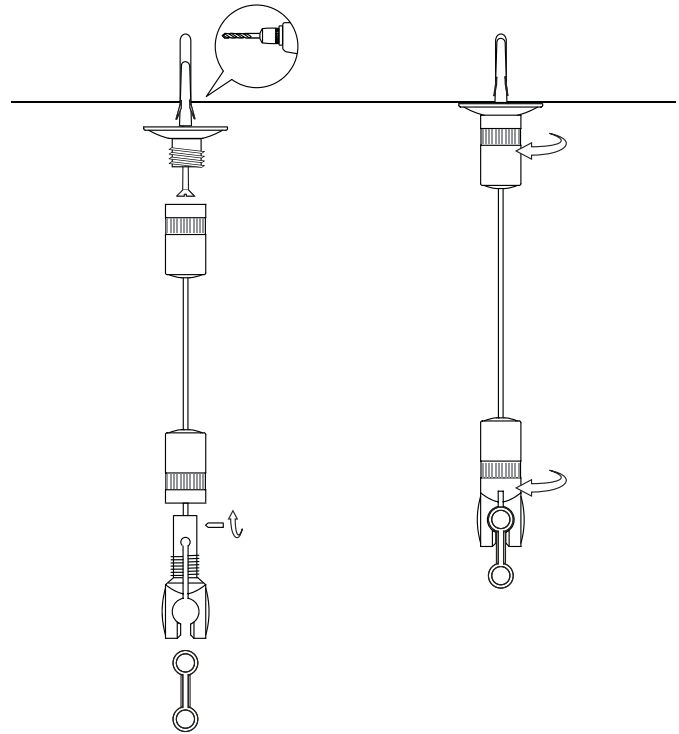


1. THIS PRODUCT MUST BE INSTALLED BY A PERSON FAMILIAR WITH THE CONSTRUCTION AND OPERATION OF THE PRODUCT AND THE HAZARDS INVOLVED, IN ACCORDANCE WITH LOCAL NEC CODE.
2. FOR USE WITH ENZIS RAIL NETWORK ONLY.
3. The Enzis rail system is not intended for use with a power supply cord or convenience receptacle adaptor. This rail system is to be supplied by Bruck Lighting.
4. Do not install this rail in damp or wet locations.
5. Do not install any part of a rail system less than 5 feet above the floor.
6. Do not install any fixture assembly closer than 6 inches from any curtain, or similar combustible material.
7. Disconnect electrical power before adding to or changing the configuration of the rail.
8. Do not attempt to energize anything other than lighting rail fixtures on the rail. To reduce the risk of fire and electric shock, do not attempt to connect power tools, extension cords, appliances, and the like to the rail.
9. This track system MUST BE HARD WIRED. For all the wire connections, use Listed Wire Nuts.
10. Do not connect a rail to more than one circuit unless the rail is constructed so that it can be used with more than on circuit. Check with a qualified electrician. Although the rail lighting system may seem to operate acceptably, a dangerous overload of the neutral may occur and result in a risk of fire.
11. Secondary connections must be clean and tight to avoid arcing and overheating!
12. Warranty is void in case of unauthorized modifications and/ or improper use.

SAVE THESE INSTRUCTIONS AND REFER
 TO THEM WHEN ADDITIONS TO OR
 CHANGES IN THE TRACK
 CONFIGURATION ARE MADE

CONTENTS OF DELIVERY

1 cable suspension with wood screw and allen wrench.



USER MANUAL

USA

READ ALL OF THESE INSTALLATION INSTRUCTIONS
 BEFORE INSTALLING THE RAIL SYSTEM

PLANNING AID

- use planning grid to decide all mounting locations prior to installation.
- mark drill points on the ceiling.

INSTALLING THE CEILING SUSPENSION

- unscrew the base from the suspension and mount it to the ceiling with the screw.
- screw the suspension back onto the base.
- loosen the clamp head so that the Enzis track can be inserted.
- shorten the aircraft cable if desired. This can be done by loosening the allen screw and adjusting the cable length. Any excess cable should be trimmed.
- tighten the clamp head to complete the installation.