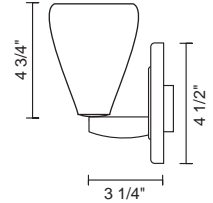


INSTALLATION INSTRUCTIONS

SCONCE

LUCY SCONCE

ART. NO.	100 126bz	bronze, brown glass	100 128bz	bronze, blue glass
	100 126ch	chrome, brown glass	100 128ch	chrome, blue glass
	100 126mc	matte chrome, brown glass	100 128mc	matte chrome, blue glass
	100 127bz	bronze, red glass		
	100 127ch	chrome, red glass		
	100 127mc	matte chrome, red glass		



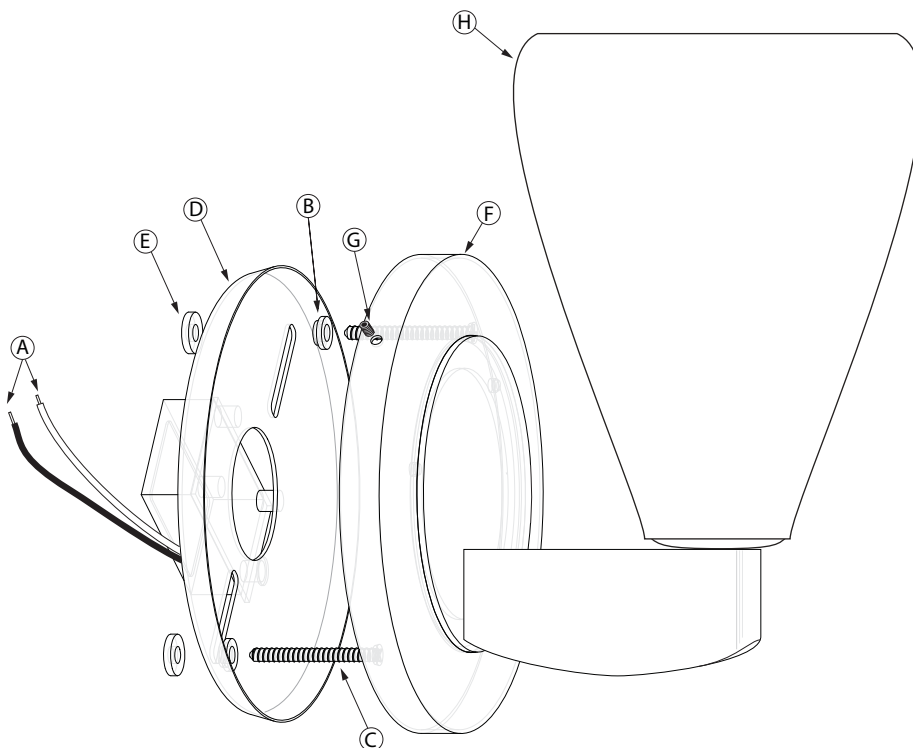
IMPORTANT SAFETY INSTRUCTIONS



1. Read all instructions!
2. Turn off power prior to any work on the canopy.
3. THIS PRODUCT MUST BE INSTALLED BY A PERSON FAMILIAR WITH THE CONSTRUCTION AND OPERATION OF THE PRODUCT AND THE HAZARDS INVOLVED, IN ACCORDANCE WITH THE APPLICABLE INSTALLATION CODE.
4. This wall sconce MUST BE HARD WIRED, 120v. For all the wire connections, use Listed Wire Nuts.
5. Only BRUCK Uni-Light fixtures may be used with the wall sconce.
6. Total wattage of the fixture must never exceed the wattage supplied by the low voltage electronic transformer. Please check that the total lamp wattage does not exceed 50W.
7. Secondary connections must be clean and tight to avoid arcing and overheating!
8. Warranty is void in case of unauthorized modifications and/ or improper use.

READ ALL OF THESE INSTALLATION INSTRUCTIONS BEFORE INSTALLING THE SYSTEM

This Package Contains:
 LUCY SCONCE w/ transformer - qty.(1)



The Lucy Sconce can be mounted directly to any wall with access to the power cables. Begin by connecting the two wires from the transformer (A) to the power cables in the wall. Then slide the notched plastic washer (B) through the mounting screw (C). Insert the screw (C) into the mounting plate (D) and slide the plastic washer (E) onto the end of the screw. Align the screws (C) with the J-box and tighten until firmly connected.

Place the canopy cover (F) over the mounting plate (D) and secure it with the allen screw (G) located on the side of the base.

Glass (H) should not be removed.