

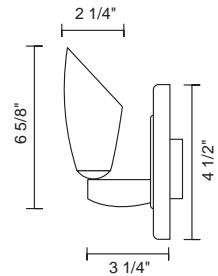
INSTALLATION INSTRUCTIONS

USA

SCONCE

VELA SCONCE

ART. NO.	100 085bz	bronze, glass white matte
	100 085ch	chrome, glass white matte
	100 085mc	matte chrome, glass white matte
	100 088bz	bronze, glass blue matte
	100 088ch	chrome, glass blue matte
	100 088mc	matte chrome, glass blue matte



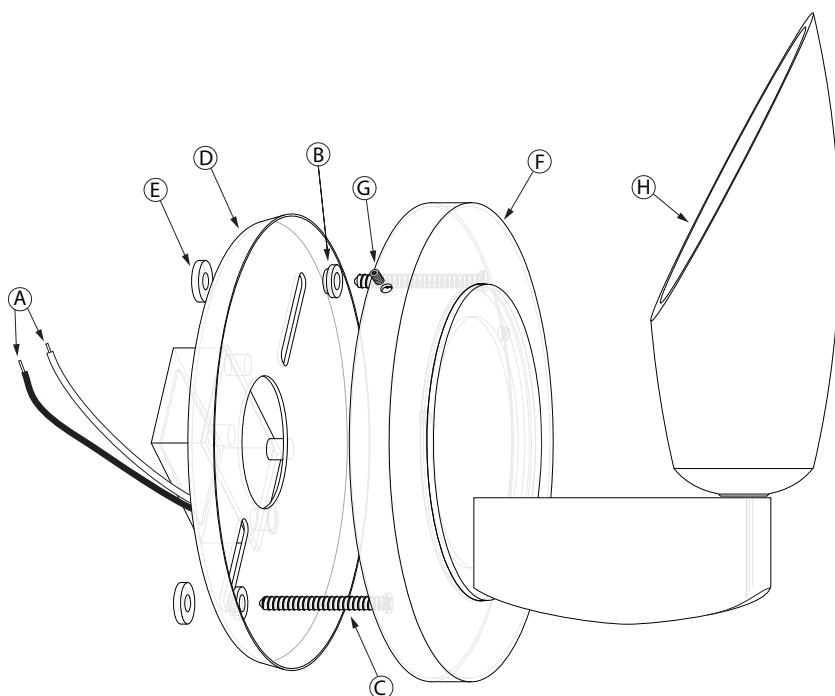
IMPORTANT SAFETY INSTRUCTIONS



1. Read all instructions!
2. Turn off power prior to any work on the canopy.
3. THIS PRODUCT MUST BE INSTALLED BY A PERSON FAMILIAR WITH THE CONSTRUCTION AND OPERATION OF THE PRODUCT AND THE HAZARDS INVOLVED, IN ACCORDANCE WITH THE APPLICABLE INSTALLATION CODE.
4. This wall sconce MUST BE HARD WIRED, 120v. For all the wire connections, use Listed Wire Nuts.
5. Only BRUCK Uni-Light fixtures may be used with the wall sconce.
6. Total wattage of the fixture must never exceed the wattage supplied by the low voltage electronic transformer. Please check that the total lamp wattage does not exceed 50W.
7. Secondary connections must be clean and tight to avoid arcing and overheating!
8. Warranty is void in case of unauthorized modifications and/ or improper use.

READ ALL OF THESE INSTALLATION INSTRUCTIONS BEFORE INSTALLING THE SYSTEM

This Package Contains:
VELA SCONCE w/ transformer - qty.(1)



The Vela Sconce can be mounted directly to any wall with access to the power cables. Begin by connecting the two wires from the transformer (A) to the power cables in the wall. Then slide the notched plastic washer (B) through the mounting screw (C). Insert the screw (C) into the mounting plate (D) and slide the plastic washer (E) onto the end of the screw. Align the screws (C) with the J-box and tighten until firmly connected.

Place the canopy cover (F) over the mounting plate (D) and secure it with the allen screw (G) located on the side of the base.

Glass (H) should not be removed.