

REPORT NUMBER: ITL56711

DATE: 09/26/05

PREPARED FOR: BRUCK LIGHTING SYSTEMS

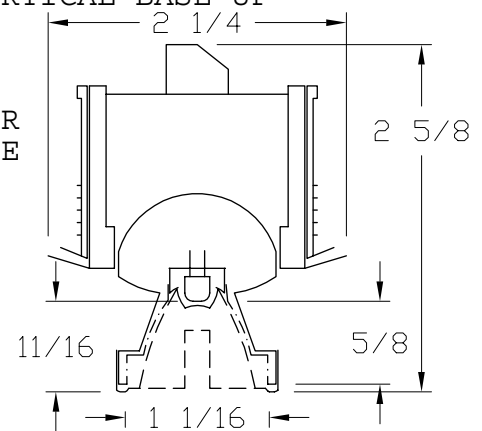
CATALOG NUMBER: LEDRA - 45 DEGREE LENS

LUMINAIRE: FABRICATED METAL HOUSING WITH PIVOTING OPTICAL ASSEMBLY, OPTICAL ASSEMBLY HAS UNFINISHED INTERIOR SURFACE, ONE CIRCUIT BOARD CONTAINING 1 LED, MOLDED WHITE PLASTIC RING ENCOMPASSING LED BASE, CLEAR CONICAL PLASTIC REFRACTOR WITH PRISMATIC BOTTOM IN FABRICATED SILVER PAINTED METAL TRIM RING.

LAMP: ONE WHITE LIGHT EMITTING DIODE (LED), VERTICAL BASE-UP POSITION.

NOTE: DATA SHOWN IS ABSOLUTE FOR THE SAMPLE PROVIDED AT 120 VOLTS AC INPUT TO THE LED ASSEMBLY POWER SUPPLY. A 4 INCH POWER CORD EXTENDS FROM THE POWER SUPPLY TO THE LED ASSEMBLY.

TOTAL INPUT WATTS= 3.5 AT 120.0 VOLTS



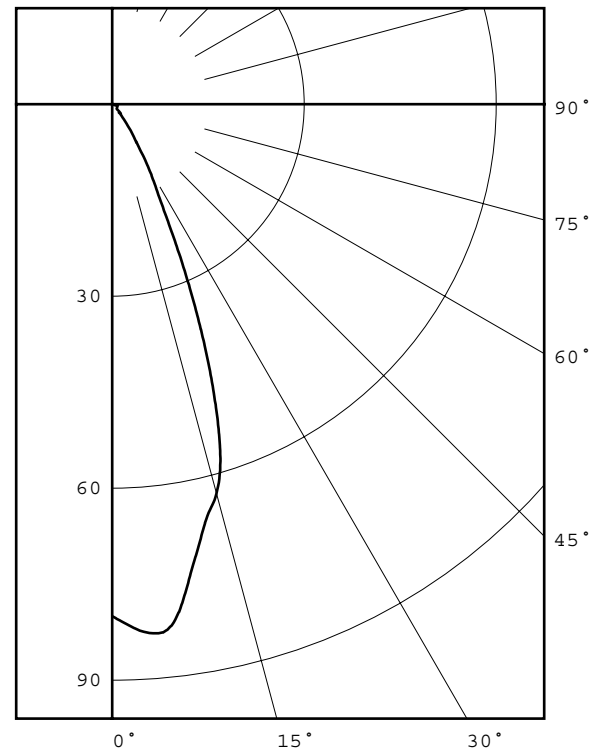
DEG	CANDELA	LUMENS
0	80	
5	83	8
15	63	17
25	22	11
35	5	3
45	1	1
55	1	1
65	1	1
75	0	0
85	0	0
90	0	

ZONAL LUMEN SUMMARY		
ZONE	LUMENS	%FIXT
0- 30	36	85.4
0- 40	39	92.7
0- 60	41	97.6
0- 90	42	100.0
90-180	0	0.0
0-180	42	100.0

CIE TYPE - DIRECT  
LUMINAIRE SPACING CRITERION = 0.6  
LUMINOUS DIAMETER: 1.062

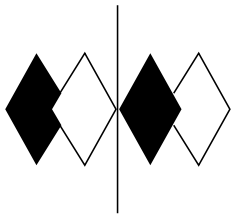
LUMINANCE DATA IN CANDELA/SQ M  
ANGLE AVERAGE  
IN DEG

45	2471.
55	3047.
65	4135.
75	0.
85	0.



Checked ..... *N. WHITE* .....

Approved ..... *R. BEATTIE* .....



**itl boulder**  
THE LIGHT CENTER OF THE INDUSTRY SINCE 1955

INDEPENDENT TESTING LABORATORIES, INC.  
 3386 LONGHORN ROAD, BOULDER, CO 80302 USA

PHONE: (303)442-1255 • FAX: (303)449-5274 • E-MAIL: [itl@itlboulder.com](mailto:itl@itlboulder.com) • WEBSITE: [www.itlboulder.com](http://www.itlboulder.com)

REPORT NUMBER: ITL56711  
 PREPARED FOR: BRUCK LIGHTING SYSTEMS

DATE: 09/26/05

CANDELA DISTRIBUTION

	0.0
0.0	80
2.5	82
5.0	83
7.5	80
10.0	73
12.5	67
15.0	63
17.5	56
20.0	45
22.5	33
25.0	22
27.5	15
30.0	11
32.5	7
35.0	5
37.5	3
40.0	2
42.5	2
45.0	1
47.5	1
50.0	1
52.5	1
55.0	1
57.5	1
60.0	1
62.5	1
65.0	1
67.5	1
70.0	1
72.5	0
75.0	0
77.5	0
80.0	0
82.5	0
85.0	0
87.5	0
90.0	0

ZONAL LUMEN SUMMARY

0- 5	2.
5- 10	6.
10- 15	8.
15- 20	9.
20- 25	7.
25- 30	4.
30- 35	2.
35- 40	1.
40- 45	1.
45- 50	0.
50- 55	0.
55- 60	0.
60- 65	0.
65- 70	1.
70- 75	0.
75- 80	0.
80- 85	0.
85- 90	0.



INDEPENDENT TESTING LABORATORIES, INC.  
 3386 LONGHORN ROAD, BOULDER, CO 80302 USA

PHONE: (303)442-1255 • FAX: (303)449-5274 • E-MAIL: itl@itlboulder.com • WEBSITE: www.itlboulder.com

REPORT NUMBER: ITL56711

DATE: 09/26/05

PREPARED FOR: BRUCK LIGHTING SYSTEMS

COEFFICIENTS OF UTILIZATION - ZONAL CAVITY METHOD

EFFECTIVE FLOOR CAVITY REFLECTANCE 0.20

RC	80				70				50			30			10			0	
	RW	70	50	30	10	70	50	30	10	50	30	10	50	30	10	50	30	10	0
0	119	119	119	119	116	116	116	116	111	111	111	111	106	106	106	102	102	102	100
1	114	111	109	107	112	109	107	105	105	104	102	102	100	99	98	97	96	95	95
2	109	105	101	98	107	103	100	97	100	97	95	97	95	93	94	92	91	89	89
3	104	99	94	91	102	97	93	90	95	91	88	92	89	87	90	88	86	84	84
4	100	93	88	85	98	92	88	84	90	86	83	88	85	82	86	84	81	80	80
5	96	88	83	80	94	88	83	79	86	82	79	84	81	78	83	80	77	76	76
6	92	84	79	75	91	83	79	75	82	78	74	81	77	74	79	76	74	72	72
7	88	80	75	71	87	80	75	71	79	74	71	77	73	71	76	73	70	69	69
8	85	77	72	68	84	76	71	68	75	71	68	74	70	67	73	70	67	66	66
9	82	74	69	65	81	73	68	65	72	68	65	71	67	65	71	67	64	63	63
10	79	71	66	62	78	70	66	62	70	65	62	69	65	62	68	64	62	61	61

ALL CANDELA, LUMENS, LUMINANCE, COEFFICIENT OF UTILIZATION AND VCP VALUES IN THIS REPORT ARE BASED ON RELATIVE PHOTOMETRY WHICH ASSUMES A BALLAST FACTOR OF 1.000. ANY CALCULATIONS PREPARED FROM THESE DATA SHOULD INCLUDE AN APPROPRIATE BALLAST FACTOR.